

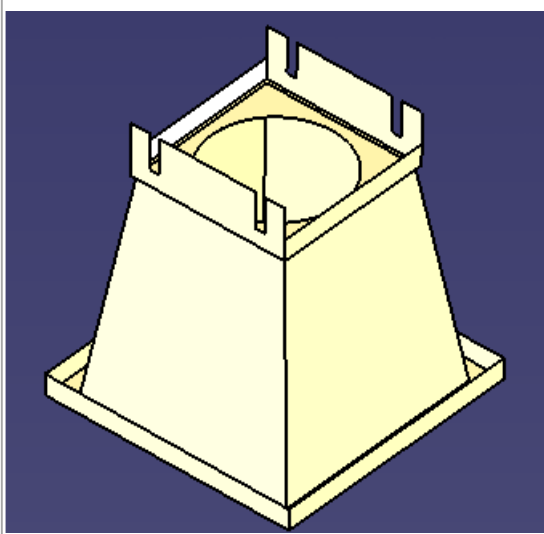
ANGOLO 132/64

Aluminium Reflectors for Lighting Applications

Via Molino, 44 55010-Montecarlo (LU) - Italy
 Tel.+39.0583.22090 Fax.+39.0583.22109 — E-mail: info@metalcosrl.eu

REFLECTOR FOR LED TYPE FORTIMO

Order Number: 595/FOR132

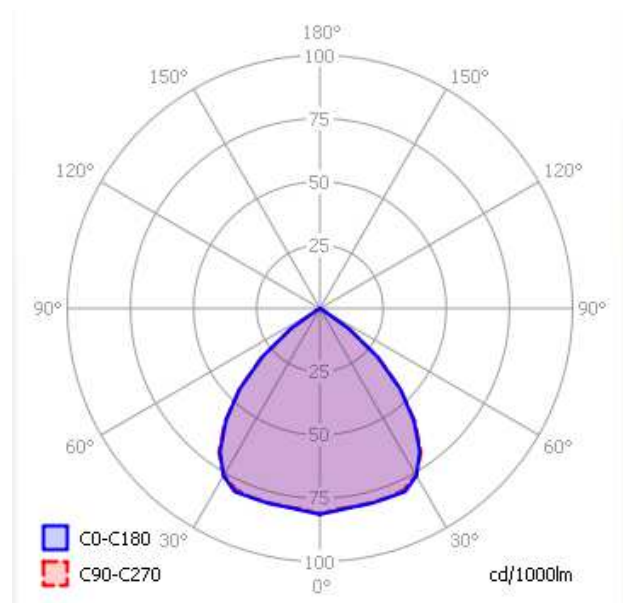
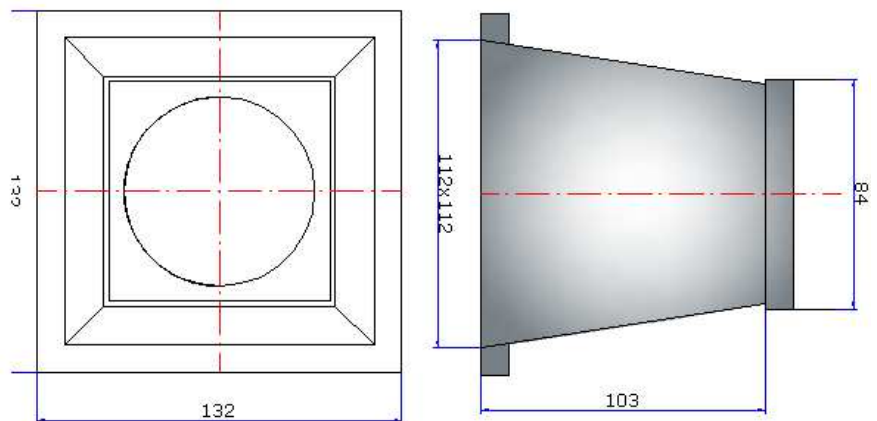


2x32° Reflector

- LOR 87%
- Material: Miro 20
- Surface diffuse
- With fixation assembled

Technical features

- Aluminum Reflector for Fortimo/Lexel system
- Fully compatible with NUVENTIX Fortimo Coolers
- Easy to attach by using the 4 Fortimo module screwholes
- Square shapes with highest reflectivity by using Alanod Miro
- Standard reflectors in other materials on request
- Individual solutions on request



While all data in this document has been prepared and released with great care, Metalco can not guarantee correctness and shall not be liable for any consequential damages. Metalco reserves the right to alter the content of this document without any previous notice.