

SPOT 75/30

REFLECTOR FOR LED TYPE TRIDONIC

Order Number: 595/RC75-20-107

Aluminium Reflectors for Lighting Applications

Via Molino, 44 55010-Montecarlo (LU) - Italy

Tel.+39.0583.22090 Fax.+39.0583.22109 — E-mail: info@metalcosrl.eu

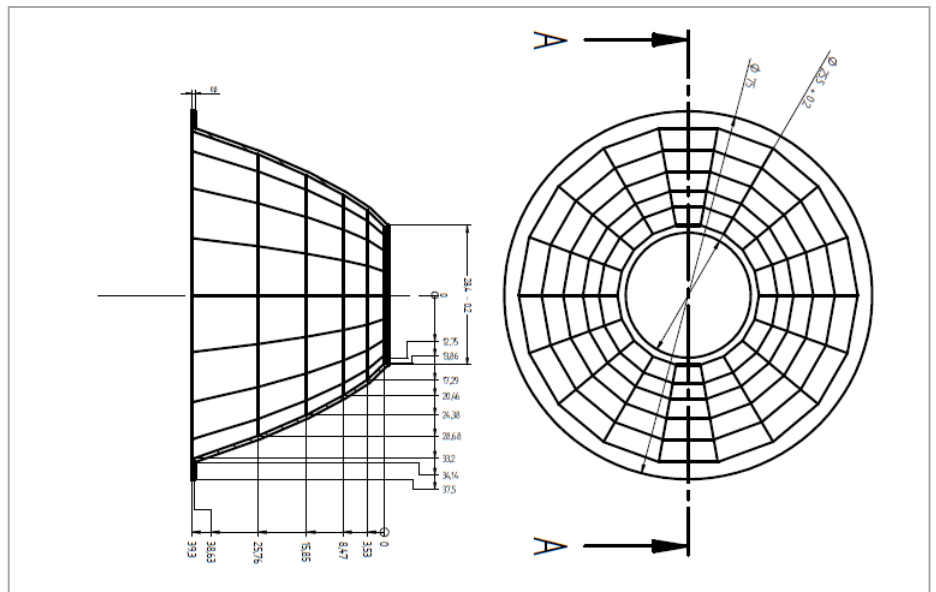


28° Symmetric Reflector

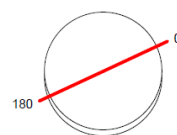
- **LOR 90%**
- **Material: Aluminium 1090**
- **Surface: high polished**
- **Suitable for Led modules according Zhaga Book 3**

Technical features

- Aluminum Reflector for Tridonic STARK SLE GEN2 LES19; LES23; LES26 Led Light Engines
- Mechanically independent
- Custom solutions on demand (dimensions / beam angles)



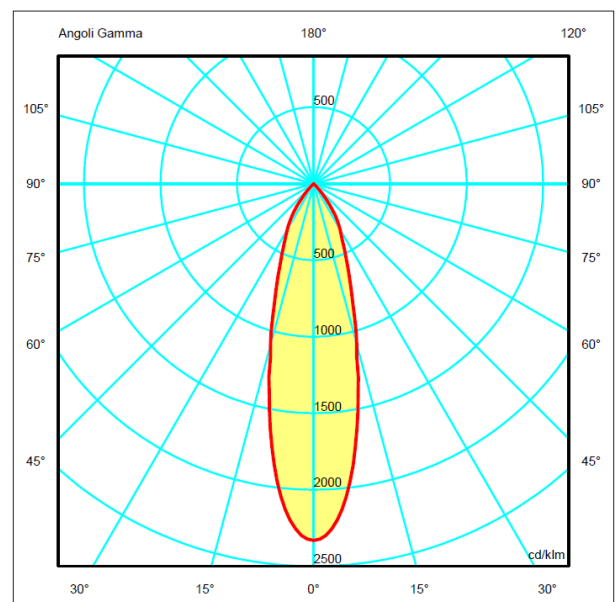
Diam=75mm



Semipiani C

180.0 — 0.0

ULOR 0.00 %
DLOR 88.01 %
RN 0.00 %



While all data in this document has been prepared and released with great care, Metalco can not guarantee correctness and shall not be liable for any consequential damages. Metalco reserves the right to alter the content of this document without any previous notice.