

CUSPIDE 140

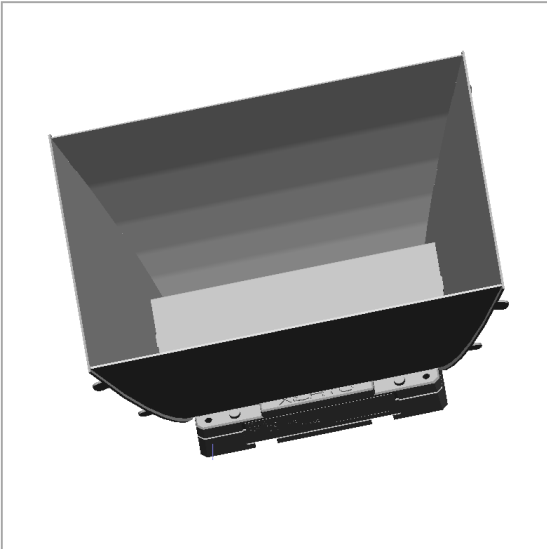
REFLECTOR FOR LED TYPE XICATO

Order Number: 595/XIC140

Aluminium Reflectors for Lighting Applications

Via Molino, 44 55010-Montecarlo (LU) - Italy

Tel.+39.0583.22090 Fax.+39.0583.22109 — E-mail: info@metalcosrl.eu



Asimmetric Reflector

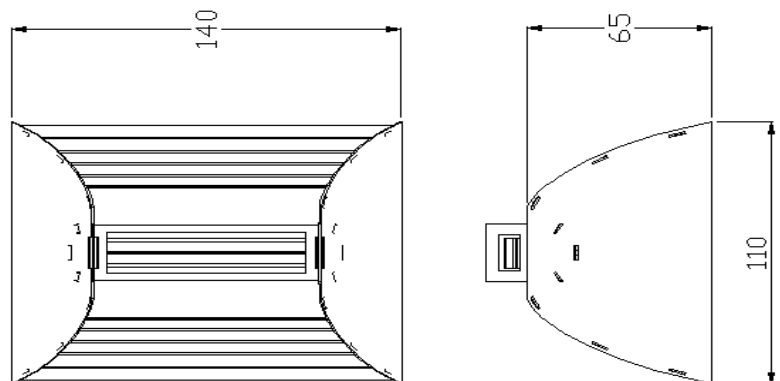
- LOR 80%
- Material: Miro 20
- Surface diffuse
- With fixation assembled

Technical features

- Aluminum Reflector for led type XICATO-Linear
- Fully compatible with Coolers
- Easy to attach
- Square shapes with highest reflectivity by using Alanod Miro
- Standard reflectors in other materials on request
- Individual solutions on request

While all data in this document has been prepared and released with great care, Metalco can not guarantee correctness and shall not be liable for any consequential damages. Metalco reserves the right to alter the content of this document without any previous notice.

Rev: 3/2012



LumEbit 595-XIC-LINEAR1.idt Pole Diagram

