

CONO 150/44

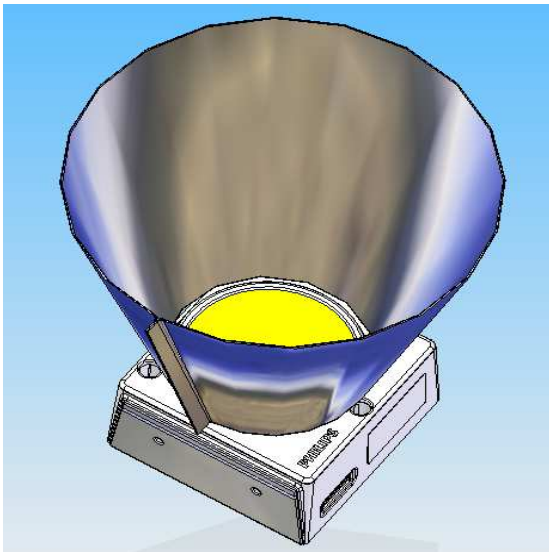
REFLECTOR FOR LED TYPE FORTIMO

Order Number: 595/FOR150

Aluminium Reflectors for Lighting Applications

Via Molino, 44 55010-Montecarlo (LU) - Italy

Tel.+39.0583.22090 Fax.+39.0583.22109 — E-mail: info@metalcosrl.eu

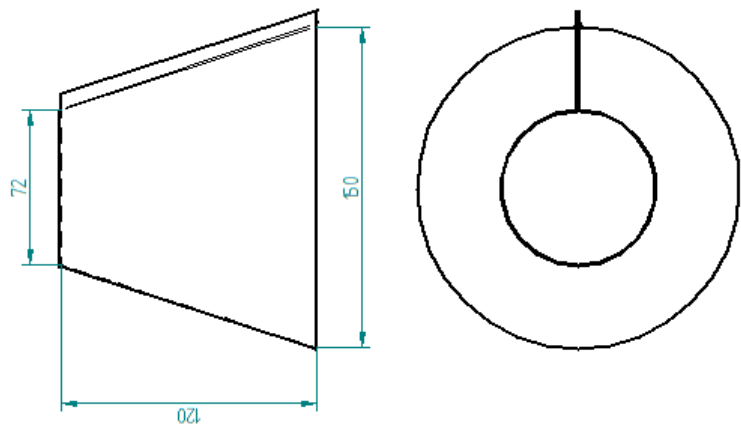


2x20° Reflector

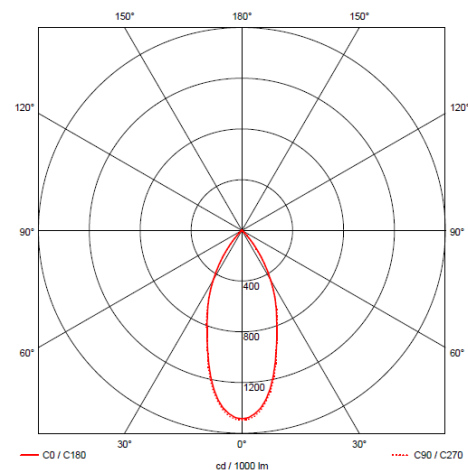
- Reflector for LED type FORTIMO SLM
- LOR 91%
- Material: Miro 9-9042AG
- Surface: hammered tone

Technical features

- Reduced overall dimensions
- Opening of light beam angle: 44°
- Spot light uniformity
- Light Output Ratio: 93%
- Excellent anti glare results. This optic system shows the Unified Glare Rating value lower than 17. Standard UGR value is 19 (UNI EN 12464-1).
- Optimal visual comfort



LumEdit DLM2000 Flood cono.Idt Polar Diagram



While all data in this document has been prepared and released with great care, Metalco can not guarantee correctness and shall not be liable for any consequential damages. Metalco reserves the right to alter the content of this document without any previous notice.