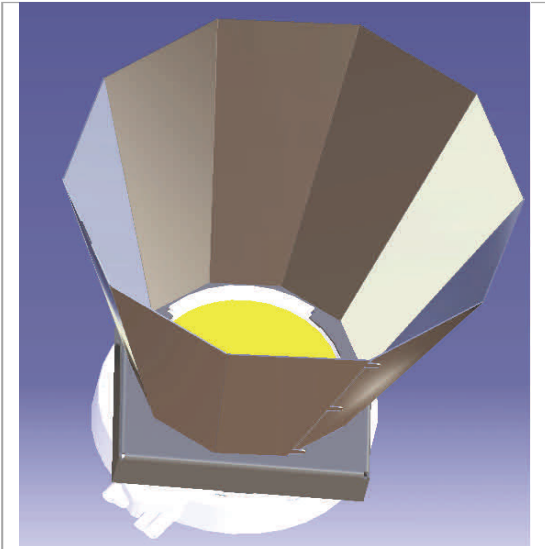


# PIRAMIDE 150/45

REFLECTOR FOR LED TYPE FORTIMO

Order Number: 595/FOR150

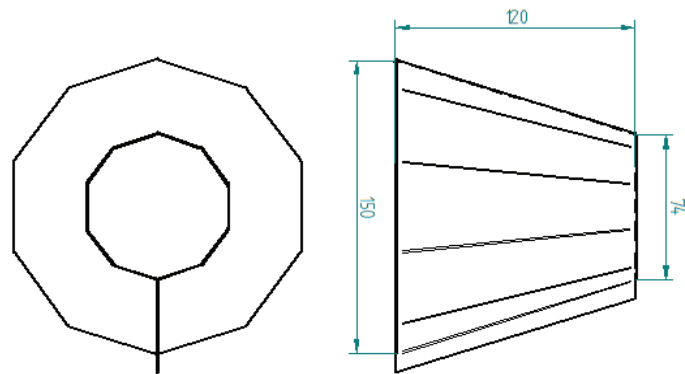


## Reflector for pedestrian trail and bicycle paths

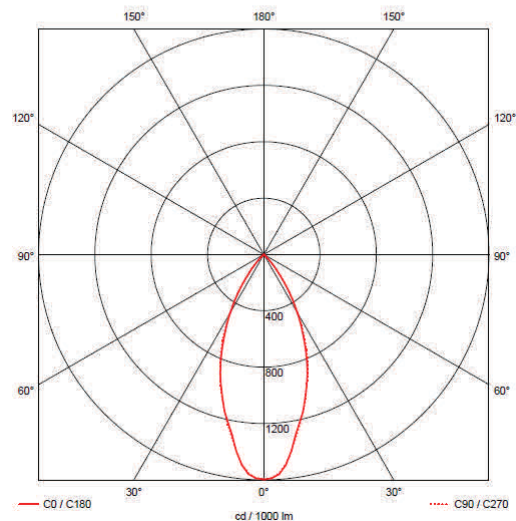
- Reflector for LED type FORTIMO DLM

### Technical features

- Reduced overall dimensions
- Opening of light beam angle: 45°
- Spot light uniformity
- Light Output Ratio: 99%
- Excellent anti glare results. This optic system shows the Unified Glare Rating value lower than 17. Standard UGR value is 19 (UNI EN 12464-1).
- Optima visual comfort



LumEdit DLM2000 Flood 10f.Idt Polar Diagram



While all data in this document has been prepared and released with great care, Metalco can not guarantee correctness and shall not be liable for any consequential damages. Metalco reserves the right to alter the content of this document without any previous notice.